

STANDARD SPRAY NOZZLES - 150 SERIES

Features:

- Durable rubber covers.
- Brass standard nozzles. (3 lbs.)
- Aluminum light weight nozzles. (1.69 lbs.)
- 304 stainless steel nozzles. (2.78 lbs.)
- Interchangeable with other similar brands.

• 1/2" FEMALE NPT INLETS ON ALL NOZZLES



Insulated Triggers!

Standard Aluminum Nozzle



Standard Brass Nozzle



Standard 304 Stainless Steel Nozzle

STANDARD NOZZLES	
Inlet Pressure *(PSIG)	Flow Rate *(GPM)
25	4.39
50	6.54
75	8.18
100	9.56
125	10.83
150	11.89
200	12.67
250	15.01
300	16.12
350	17.45
400	19.55
450	20.52
500	22.01
*Estimated	



Rating: 150 PSI / 200°F (93°C)
Maximum Tested Operating Pressure of 500 PSI
 Do not connect nozzle directly to live steam

STANDARD NOZZLES	
Part #:	Description
150B-DB	Brass nozzle with dark blue cover
150B-R	Brass nozzle with red cover
150B-W	Brass nozzle with white cover
150A-LB	Anodized aluminum nozzle with light blue cover
150A-R	Anodized aluminum nozzle with red cover
150A-W	Anodized aluminum nozzle with white cover
150S-G	304 stainless steel nozzle with gray cover
150S-R	304 stainless steel nozzle with red cover
150S-W	304 stainless steel nozzle with white cover

STANDARD "LITE" SPRAY NOZZLES - 150 LITE SERIES

Features:

- More compact and lighter version of Superklean's popular Standard nozzle.
- Perfect for applications where reduced- size and/or flow rate is preferred.
- Superklean Ball Type Swivel Adapters available for ultimate, ergonomic operation.
- Special formulated rubber cover for durability and easy replacement.
- Bronze construction weights only 1.25 lbs.
- Stainless Steel version is coming soon.

- 3/8" FNPT inlet on all 150 Lite Series Nozzles



Standard Bronze Lite Nozzle

This photo shows the relative size of the Lite Nozzle compared with Superklean's full-sized Standard nozzle.

Rating: 150 PSI / 200°F (93°C)
Maximum Tested Operating Pressure of 500 PSI

Do not connect nozzle directly to live steam

Superklean announces a new, reduced size version of our industry favorite 150 Series Standard Spray Nozzle.

This amazing Lite nozzle has the same industrial-strength and ruggedized features of our Standard nozzles, but weighs in at a mere 1.25 lbs.

Standard Lite Nozzles	
Inlet Pressure *(PSIG)	Flow Rate *(GPM)
25	4.00
50	6.25
75	7.75
100	9.00
125	10.25
150	11.50

*Estimated

STANDARD LITE NOZZLES	
Part #:	Description
150LTB-DB	Bronze Lite nozzle with dark blue cover
150LTB-R	Bronze Lite nozzle with red cover
150LTB-W	Bronze Lite nozzle with white cover
150LTS-G	304 stainless steel Lite nozzle with gray cover
150LTS-R	304 stainless steel Lite nozzle with red cover
150LTS-W	304 stainless steel Lite nozzle with white cover

DURAFLOW "MINI" SPRAY NOZZLES

- DM150S Series

Features:

- Small compact design.
- Light weight versus other designs.
- Fully insulated.
- 304 stainless steel construction.

DURAFLOW "MINI" SPRAY NOZZLES	
Part #:	Description
DM150S-DB	DuraFlow "Mini" 304 stainless steel nozzle with dark blue cover
DM150S-R	DuraFlow "Mini" 304 stainless steel nozzle with red cover
DM150S-W	DuraFlow "Mini" 304 stainless steel nozzle with white cover

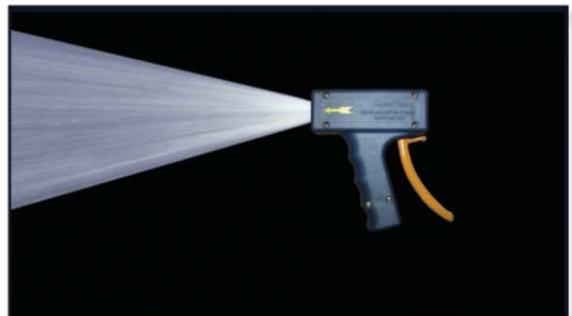
STANDARD	
Inlet Pressure *(PSIG)	Flow Rate *(GPM)
25	2.93
50	3.86
75	4.91
100	5.78
125	6.71
150	7.19
HIGH FLOW	
Inlet Pressure *(PSIG)	Flow Rate *(GPM)
25	4.39
50	6.54
75	8.18
100	9.56
125	10.83
150	11.89
*Estimated	

* Standard flow rates can be achieved with the purchase of flow restrictor adapter



1/2" FEMALE NPT INLETS ON ALL DURAFLOW "MINI" NOZZLES

Rating: 150 PSI / 200°F (93°C)
Maximum Tested Operating Pressure of 500 PSI
 Do not connect nozzle directly to live steam



DURASPRAY SPRAY NOZZLES

- DS150S Series

Features:

- Design for hanging hose applications (from the roof).
- Anti-spray mechanism built into trigger.
- Quick connect receptacle for accessories.
- 304 stainless steel construction.

DURASPRAY HIGH FLOW SPRAY NOZZLES	
Part #:	Description
DS150S-DB	High flow DuraSpray 304 stainless steel nozzle with dark blue cover
DS150S-R	High flow DuraSpray 304 stainless steel nozzle with red cover
DS150S-W	High flow DuraSpray 304 stainless steel nozzle with white cover

STANDARD	
Inlet Pressure *(PSIG)	Flow Rate *(GPM)
25	2.93
50	3.86
75	4.91
100	5.78
125	6.71
150	7.19
HIGH FLOW	
Inlet Pressure *(PSIG)	Flow Rate *(GPM)
25	4.39
50	6.54
75	8.18
100	9.56
125	10.83
150	11.89
*Estimated	

* Standard flow rates can be achieved with the purchase of flow restrictor adapter (8-FR-NPT)

* 1/2" FEMALE NPT INLETS ON ALL DURASPRAY NOZZLES *



Dark Blue



White



Red

Rating: 150 PSI / 200°F (93°C)
Maximum Tested Operating Pressure of 500 PSI
 Do not connect nozzle directly to live steam



THERMOSMART SPRAY NOZZLES - T150 SERIES

Features:

- Temperature indicating window to prevent water related burns.
- Accurate temperature reading.
- USDA/FDA compliance for correct output temperature.

Rating: 150 PSI / 200°F (93°C)

Maximum Tested Operating Pressure of 500 PSI

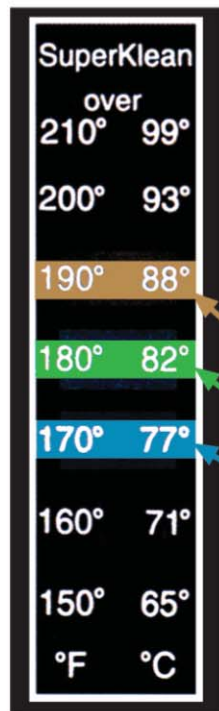
Do not connect nozzle directly to live steam

SuperKlean's Thermosmart spray nozzles are manufactured with the same characteristics as our standard spray nozzles. We offer Thermosmart spray nozzles in brass, aluminum, and stainless steel.

THERMOSMART NOZZLES	
Part #:	Description
T150B-DB	Thermosmart brass nozzle with dark blue cover
T150B-W	Thermosmart brass nozzle with white cover
T150A-LB	Thermosmart aluminum nozzle with light blue cover
T150A-W	Thermosmart aluminum nozzle with white cover
T150S-G	Thermosmart 304 stainless steel nozzle with gray cover
T150S-W	Thermosmart 304 stainless steel nozzle with white cover



1/2" FEMALE NPT INLET



Window turns tan when below rated temperature.

Window turns green when within 2°F of rated temperature.

Window turns blue when above rated temperature.

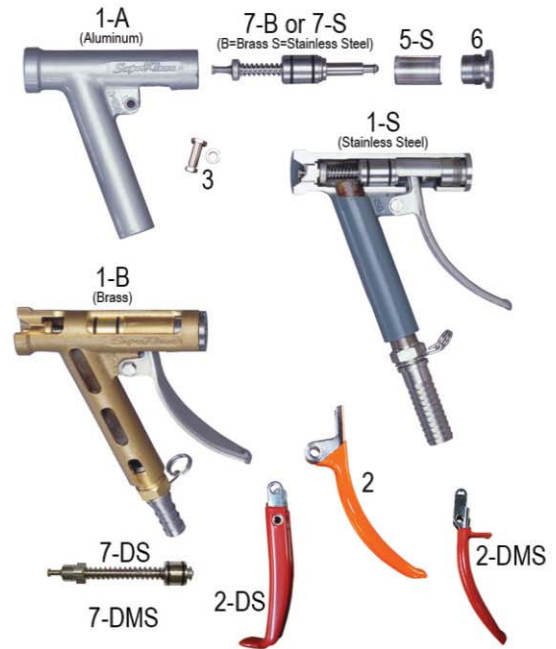
NOTE: NOT ACTUAL SIZE

SPRAY NOZZLE PARTS

Features:

- Interchangeable parts on Standard nozzles.
- Fully assembled cartridges containing all internal gaskets & o-rings.

NOZZLE PARTS	
Part #:	Description
1-B	Nozzle body, brass, one piece, epoxy resin coated
1-A	Nozzle body, anodized aluminum, one piece, epoxy resin coated
1-S	Nozzle body, 304 stainless steel, one piece, epoxy resin coated
2	Lever, 304 stainless steel
2-DS	DuraFlow lever, 304 stainless steel
2-DMS	DuraFlow "Mini" lever, 304 stainless steel
3	Lever bolt, bushing & nut, 304 Stainless steel
5-S	Cage or "thrust collar", 304 stainless steel
6	Lock screw or "end adapter", 304 stainless steel
7-B	Cartridge or "barrel assembly", brass, contains all working parts
7-S	Cartridge or "barrel assembly", 304 stainless steel, contains all working parts
7-DS	DuraFlow cartridge or "barrel assembly", 304 stainless steel, contains all working parts
7-DMS	DuraFlow "Mini" cartridge or "barrel assembly", 304 stainless steel, contains all working parts



ALL SUPERKLEAN STANDARD NOZZLE PARTS ARE INTERCHANGEABLE WITH THOSE OF OUR COMPETITORS

Features:

- Interchangeable covers on standard nozzles.
- Specially formulated covers for easy installation, long lasting durability and resistance to a wide range of oils, fats and chemicals.

NOZZLE COVERS	
Part #:	Description
4-DB	Nozzle cover, dark blue
4-LB	Nozzle cover, light blue
4-G	Nozzle cover, gray
4-R	Nozzle cover, red
4-W	Nozzle cover, white
4-DBB	DuraFlow nozzle cover, dark blue
4-DR	DuraFlow nozzle cover, red
4-DW	DuraFlow nozzle cover, white
4-DMDB	DuraFlow "Mini" nozzle cover, dark blue
4-DMR	DuraFlow "Mini" nozzle cover, red
4-DMW	DuraFlow "Mini" nozzle cover, white



ALL SUPERKLEAN PARTS ARE INTERCHANGEABLE WITH THOSE OF OUR COMPETITORS

SuperKlean spray nozzles were designed for long lasting durability and to withstand abuse common in industrial environments. Due to regular wear and tear, our engineers used simplicity as a key factor in the design of our nozzles. SuperKlean's nozzle are considered one of the few nozzles in the sanitation equipment industry to be truly "user friendly". Especially when repairs or replacements have to be made.

The following are instructions for replacement of internal components:

1. Remove nozzle cover through the back of nozzle.
2. Remove lever screw and pull lever out.
3. Unscrew lock screw and pull out barrel assembly from back end of nozzle with cage.
4. To insert a new barrel assembly, reverse above procedure.
5. When replacing cage, cut-away part of cage should be facing downward.
6. Be sure that the lever arm is placed ahead of retractor rod on barrel assembly.

